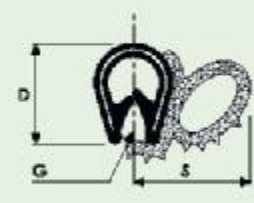


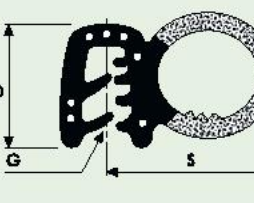
## 6272/001 DRAUGHT EXCLUDER

Black PVC/EPDM side tube seal.  
Code#600130

	<b>6272/001</b>
	'Side tube seal'
	25m (27.5yd) coil
	Material = PVC/EPDM
	Carrier depth (D) = 10mm 0.39"
Seal dim. (S) = 14mm 0.55"	
Grip range (G) = 2-3mm 0.08-0.12"	

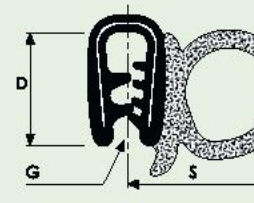
## 6279/001 DRAUGHT EXCLUDER

Black EPDM side tube seal.  
Code#600125

	<b>6279/001</b>
	'Side tube seal'
	50m (55yd) coil
	Material = EPDM
	Carrier depth (D) = 12mm 0.47"
Seal dim. (S) = 20mm 0.79"	
Grip range (G) = 1.5-2.5mm 0.06-0.10"	

## 4855/003 DRAUGHT EXCLUDER

Black EPDM Draught Excluder  
Code#600140

	<b>4855/003</b>
	'Side tube seal'
	50m (55yd) coil
	Material = PVC/EPDM
	Carrier depth (D) = 12mm 0.47"
Seal dim. (S) = 20mm 0.79"	
Grip range (G) = 1.5-2.5mm 0.06-0.10"	

## 6278/001 BOOT SEAL

Black EPDM boot seal.  
Code#600148

	<b>6278/001</b>
	'Top tube seal'
	50m (55yd) coil
	Material = EPDM
	Carrier depth (D) = 9mm 0.35"
Seal dim. (S) = 15mm 0.6"	
Grip range (G) = 0.5-1.5mm 0.02-0.06"	